

sCentric Hybrid™

USER GUIDE

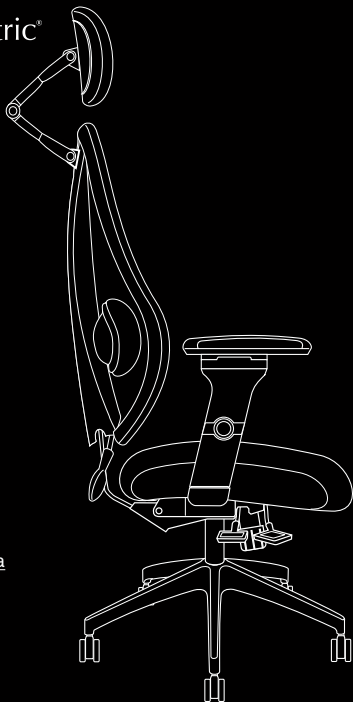
gry matr™ + ergoCentric®
by joe mimran

Please take a minute to learn about
your chair's adjustment features.

Read this user guide or visit ergo21.ca

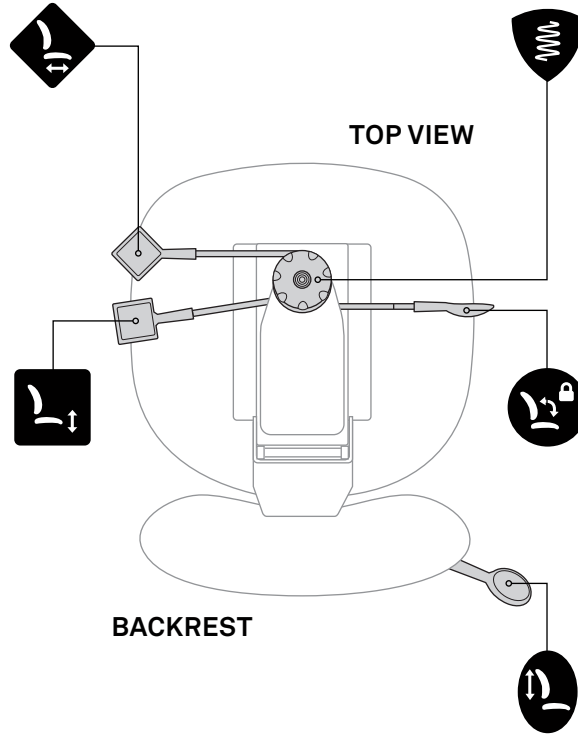


Scan for video
instructions



SEAT DEPTH: To adjust the seat depth, pull up on the **DIAMOND** shaped paddle and move the seat forward or backward in relation to the backrest. Release the paddle to lock.

SEAT HEIGHT: To raise the seat, pull up on the **SQUARE** paddle while raising your weight off the chair. To lower the seat, pull up on the paddle while sitting. Release the paddle to lock.



HAND WHEEL SPRING TENSION: To adjust the spring tension, turn the knob located under the seat pan. Turn the knob clockwise to increase the spring tension and counter-clockwise to decrease the spring tension.

FREE FLOAT: To free float the chair, push the **CIRCULAR** paddle forward and lean back against the backrest to disengage the safety lock. Push the paddle rearward to lock the chair into position. To disengage the lock, push the paddle forward and apply pressure to the backrest.

BACK HEIGHT: To adjust the back height, push the **OVVAL** paddle back away from the seat and adjust the backrest up or down to the desired height. Pull this paddle down and towards the seat to lock.

gry matt[™] + ergoCentric[®]
by joe mimran

For assistance contact:
1 866 GET ERGO | 905 696 6800
support@ergocentric.com
ergocentric.com

